

1 Tools needed to install the column mount kit.

a. Wrench 5/16 & 1/2



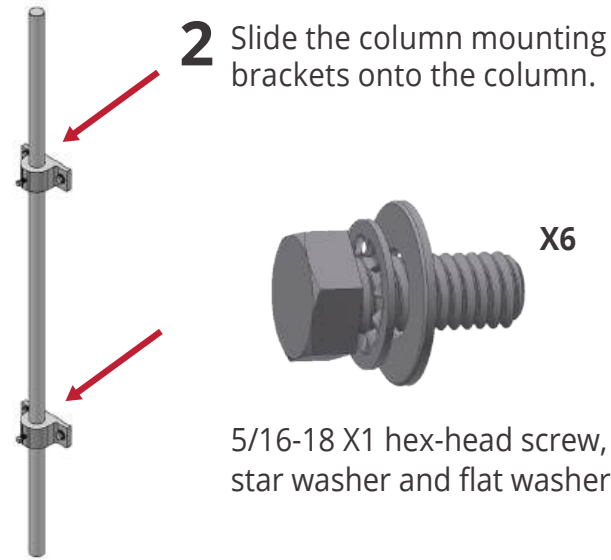
Check packaging for damage before opening.
a. If damage is found contact shipping company.
b. If no damage is found continue.

WARNING

You must use the extension arm limiting bracket when column-mounting the Type F & B Donut Depositor to any floor model stand alone fryer. If you do not, the fryer may tip over when the depositor is swung away from the fryer, resulting in serious burns, injury, or death.

Preparing to Mount the Depositor on the Column

Before you can column-mount the Type B & F donut depositor to a fryer, you must secure the fryer to the floor.



2 Slide the column mounting brackets onto the column.

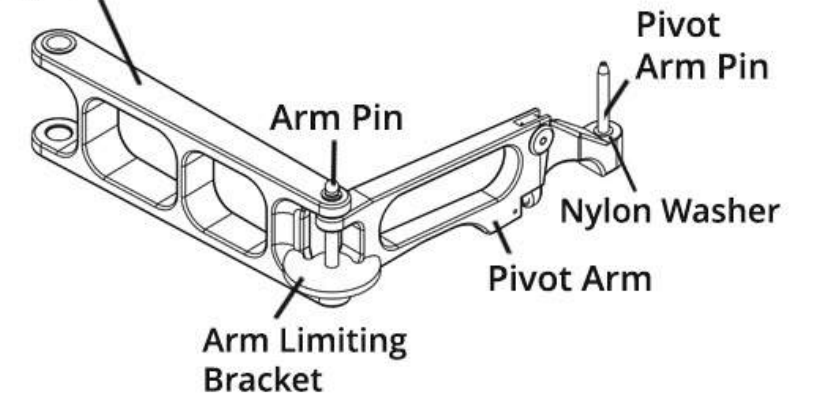
X6
5/16-18 X1 hex-head screw, star washer and flat washer

3 Align the holes in the column mounting brackets, with the holes in the fryer frame assembly.

4 Install the bolts and washer for the depositor column mounts loosely to the frame, then insert the column into the depositor column mounts, then tighten up the loose bolts with a 1/2" wrench. Do not mix up this order, doing so can damage the mounting threads on the cabinet.

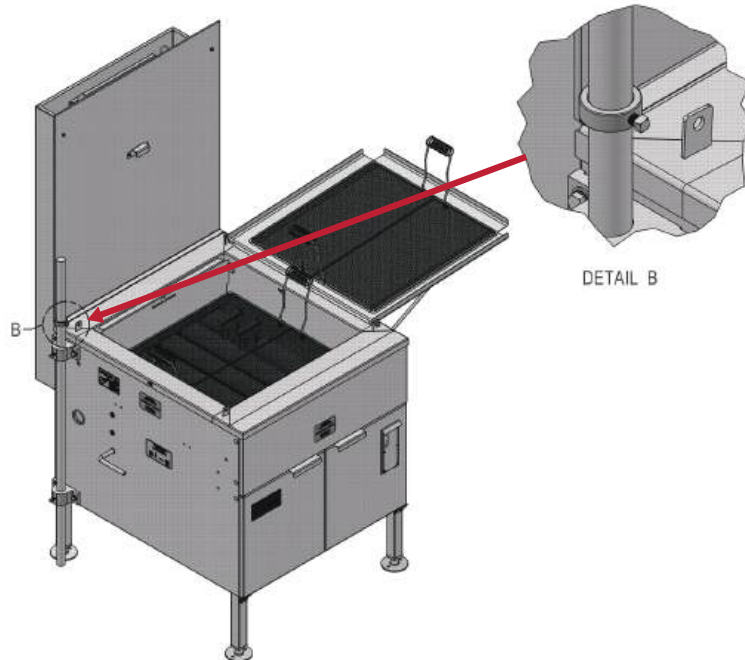
5 With the column resting on the floor tighten the set screws for the column mounts using 5/16" wrench then install the set collar and set screw using a 5/16" wrench.

Straight Arm

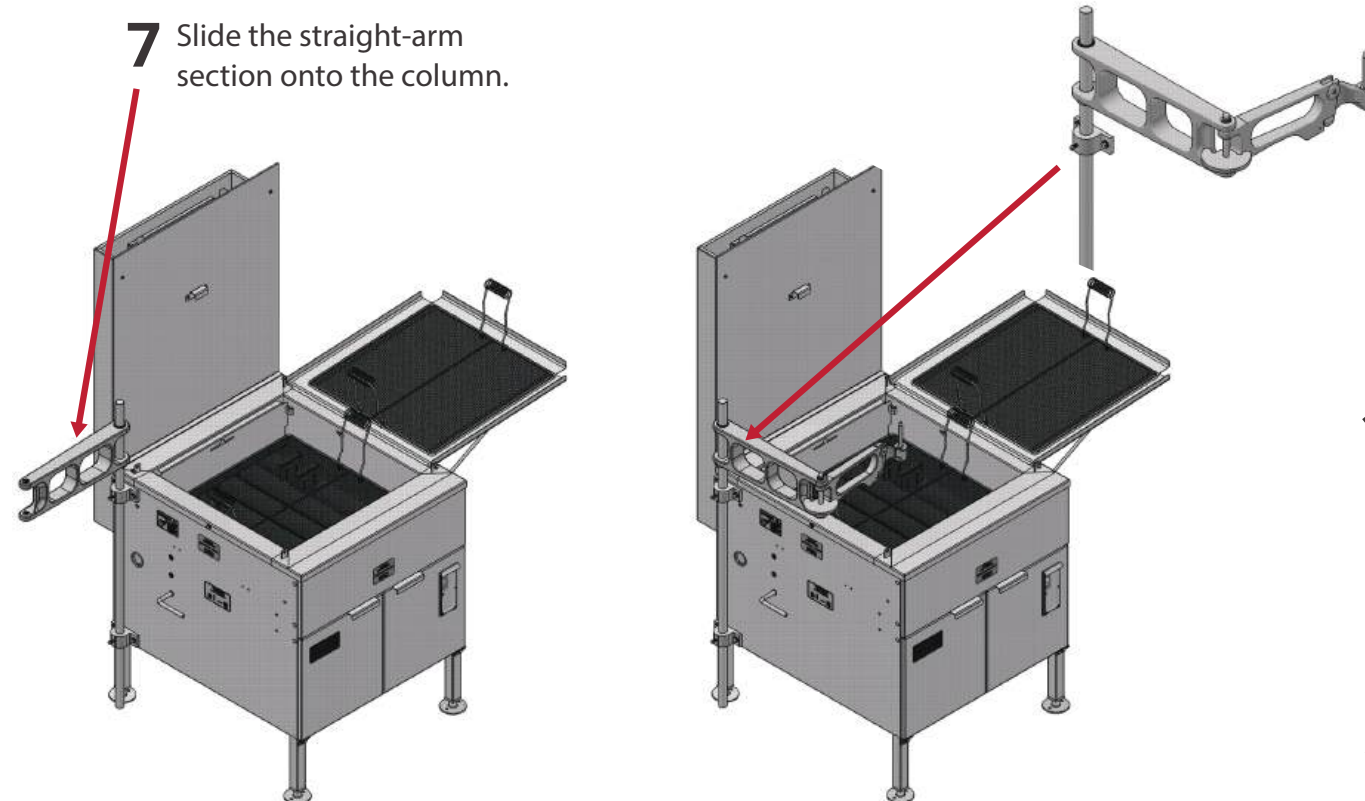


Arm Limiting Bracket

6 Slide the set collar onto the column and tighten the set screw with a 5/16 wrench.



7 Slide the straight-arm section onto the column.



8 Put the pivot arm section between the legs of the straight arm.

9 Put the extension arm-limiting bracket between the legs of the pivot arm. The holes in the extension arm limiting bracket, pivot arm, and straight-arm must line up.

10 Slide the arm pin through the holes in the straight-arm, pivot arm, and extension arm-limiting bracket.

11 Slide the straight arm up the column far enough for the depositor to clear the fryer when it is mounted. To hold the straight arm in place, slide the set collar up the column and tighten the setscrew.

12 Ensure there is a Nylon Washer in the pivot arm pin before sliding on B & F depositor.